

Star Table and Chair Set

Parts List

Item # 26912

HARDWARE

A. Hex Bolt
x 36 pcs



B. Cam Bolt
x 4 pcs



(36 mm, 1 3/8 in)

C. Cam Lock
x 4 pcs



Allen Wrench
x 1 pc

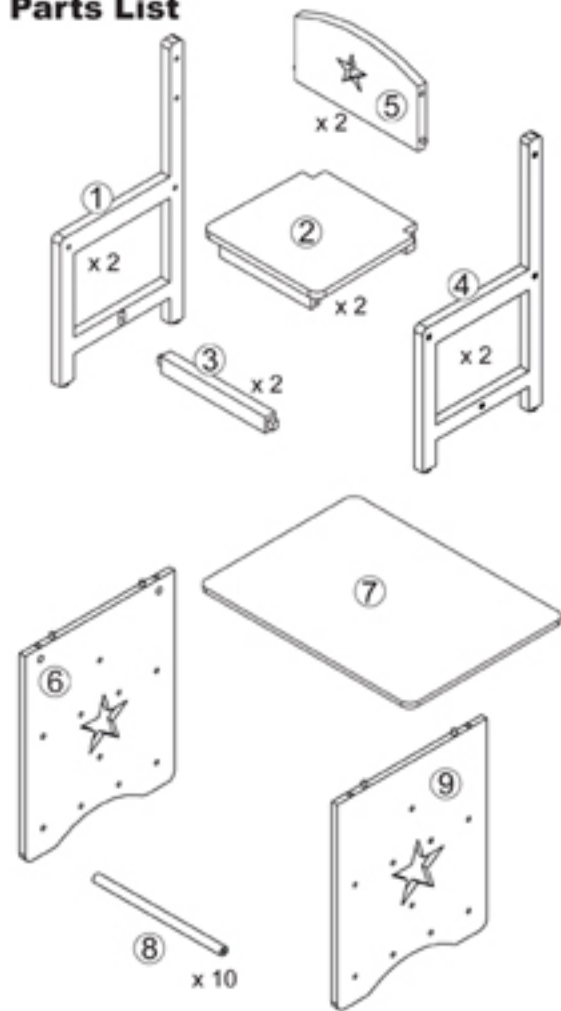


The following tool
is required for
assembly:



Phillips[®] Screwdriver

Parts List



Bin

Assembly Instructions

NOTE: Once the two pieces of the plastic bin are connected, mechanism is permanent. Do not attempt to separate the two pieces once assembled.

D.



Red Bottom x 1 pc

E.



Red Top x 1 pc

F.



Blue Bottom x 1 pc

G.

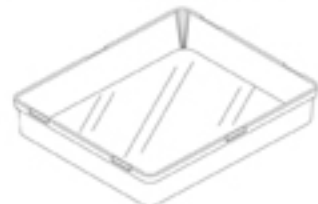


Blue Top x 1 pc

Step 1

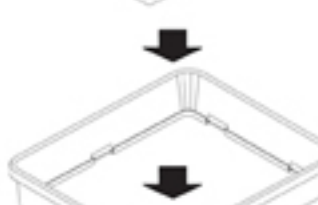
Place Part A through Part B.

D.



Bottom

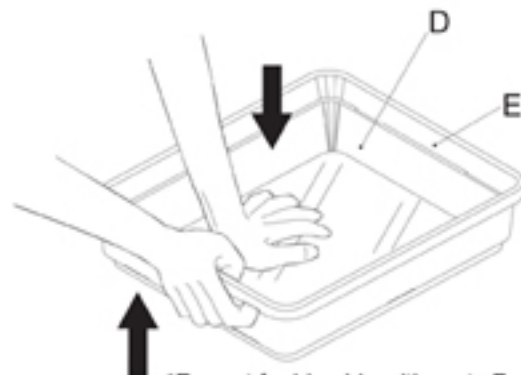
E.



Top

Step 2

Pull up Part E with one hand and push down Part D at the same time until the two parts lock. Make sure that the six "U" hooks have been securely locked.



*Repeat for blue bin with parts F and G.

Step 3

Red

x 2

10



11

Blue

x 2

Patent Pending

CAUTION: Adult assembly required. Hardware contains small screws with sharp points. Keep unassembled parts out of the reach of small children.

USE and MAINTENANCE:

- Use on level surfaces only.
- Please check assembly at regular intervals, and periodically tighten hardware if necessary. If maintenance is not carried out the product could overturn or fall.

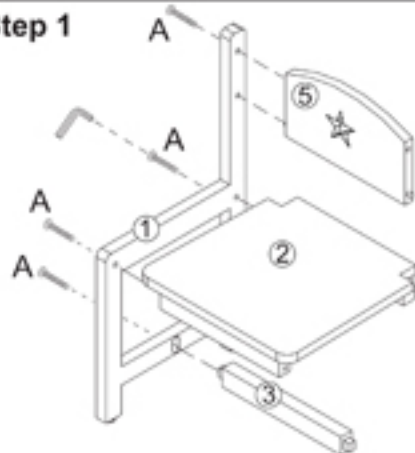
WARNING: CHOKING HAZARD
Unassembled parts may be a choking hazard to children 3 years and younger.

Star Table and Chair Set

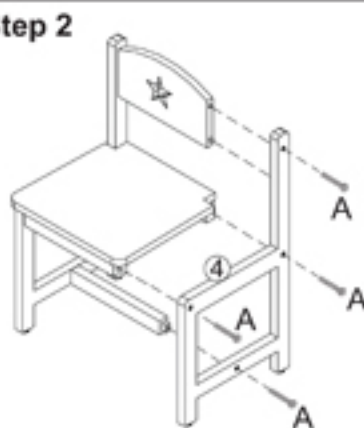
Assembly Instructions

Item # 26912

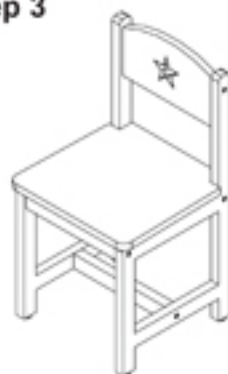
Step 1



Step 2

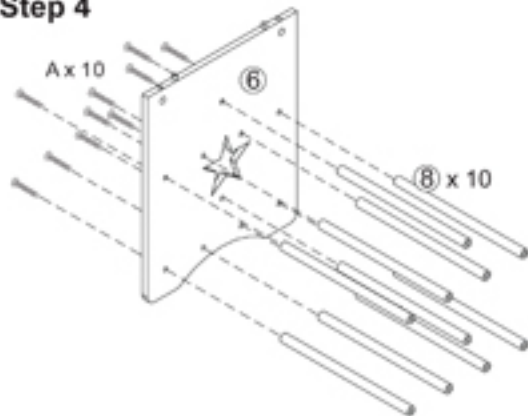


Step 3

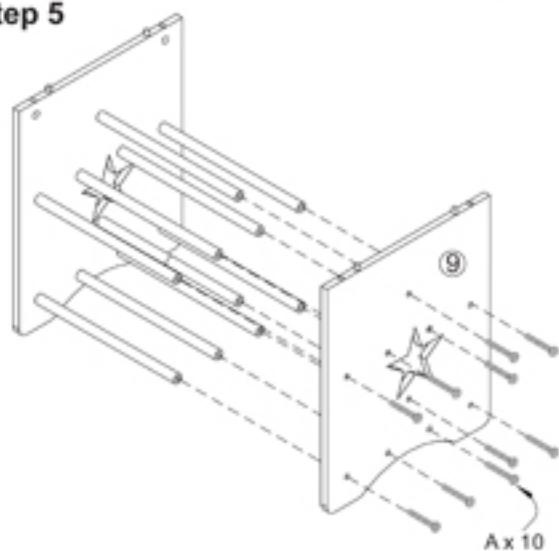


*Repeat steps 1 and 2
for second chair

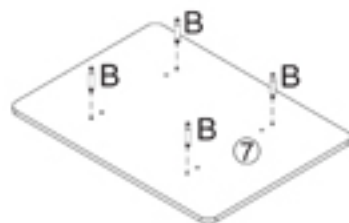
Step 4



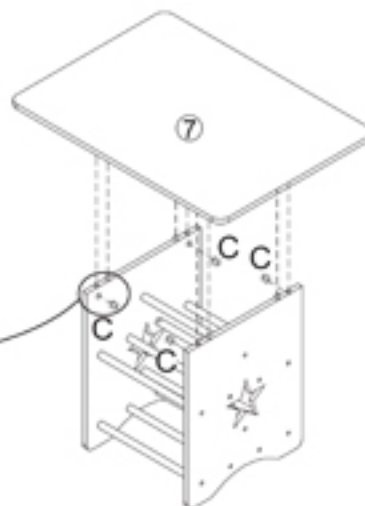
Step 5



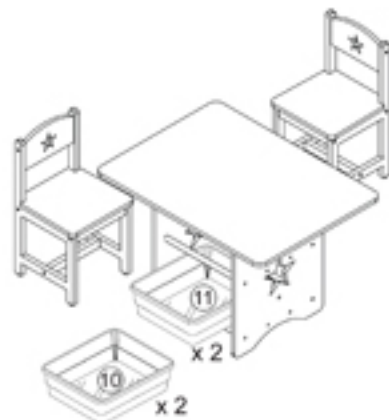
Step 6



Step 7



Step 8



*Insert bins under table.

CAUTION: Adult assembly required.
Hardware contains small screws with
sharp points. Keep unassembled parts
out of the reach of small children.

USE and MAINTENANCE:

- Use on level surfaces only.
- Please check assembly at regular intervals, and periodically
tighten hardware if necessary. If maintenance is not carried
out the product could overturn or fall.

WARNING: CHOKING HAZARD
Unassembled parts may be a choking
hazard to children 3 years and younger.

IMPORTANT INFORMATION - PLEASE READ FIRST

ALL OF OUR WOODEN ITEMS ARE HANDCRAFTED, HAND ASSEMBLED, AND HAND PAINTED. EACH ONE IS UNIQUE. SLIGHT IMPERFECTIONS MAY OCCUR AND ARE NOT MANUFACTURING DEFECTS. EACH ITEM HAS BEEN PAINTED WITH A VERY DURABLE PAINT THAT IS BOTH LEAD AND CHROMATE FREE AND SAFE FOR CHILDREN. HOWEVER, IT WILL NOT WITHSTAND ABNORMAL ABUSE AND WITH IMPROPER USE IT COULD CHIP. TOUCH-UP PAINTS ARE AVAILABLE FOR A NOMINAL CHARGE IF NEEDED. PLEASE CONTACT US DIRECTLY AND WE WILL FORWARD YOU THE NECESSARY COLOR.

PLEASE NOTE THAT WE DO NOT WARRANTY AGAINST THE USE OF PERMANENT MARKERS, NON-WATER-BASED PAINTS, CRAYONS, OR WASHABLE MARKERS. SOME OF THESE ITEMS CONTAIN PERMANENT COLOR DYES THAT COULD DAMAGE THE SURFACE.

CLEANING INSTRUCTIONS

CLEAN THE SURFACE USING A SLIGHTLY DAMP CLOTH AND MILD DISH WASHING LIQUID IF NECESSARY. DO NOT USE ANY CLEANING PRODUCT CONTAINING ALCOHOL OR AMMONIA. THESE WILL DULL THE SHINY SURFACE OF THE PRODUCT. FURNITURE POLISH WILL ALSO WORK TO CLEAN AND DUST OFF THE SURFACE.

WE RECOMMEND THAT YOU TEST ALL CLEANING MATERIALS ON THE UNDERSIDE OF ANY SURFACE THAT WOULD NOT BE SEEN DURING NORMAL USE OF THE PRODUCT. IF YOU HAVE QUESTIONS REGARDING THE MAINTENANCE OF THIS PRODUCT PLEASE FEEL FREE TO CALL US.